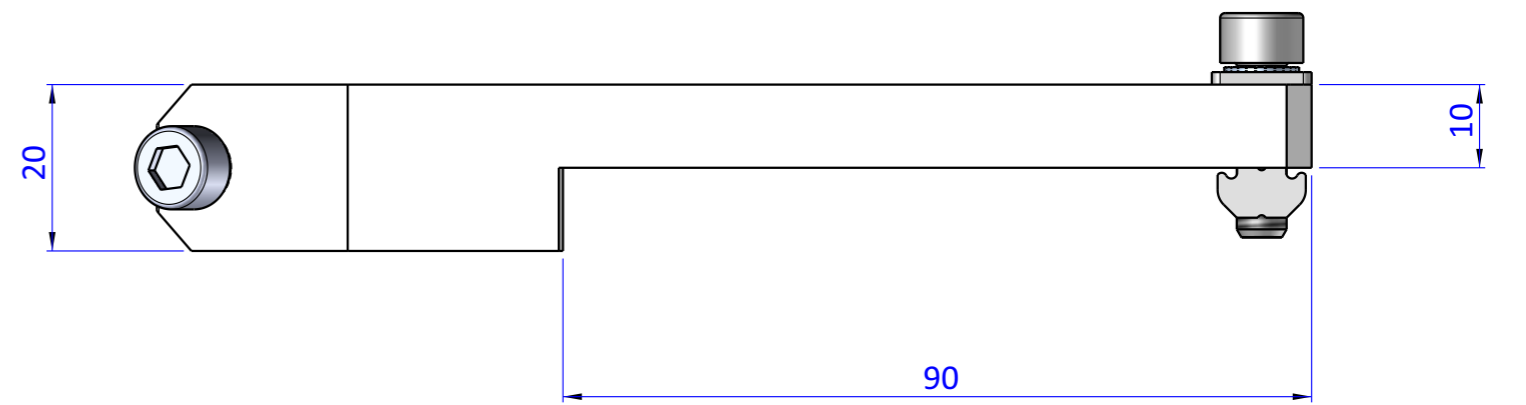
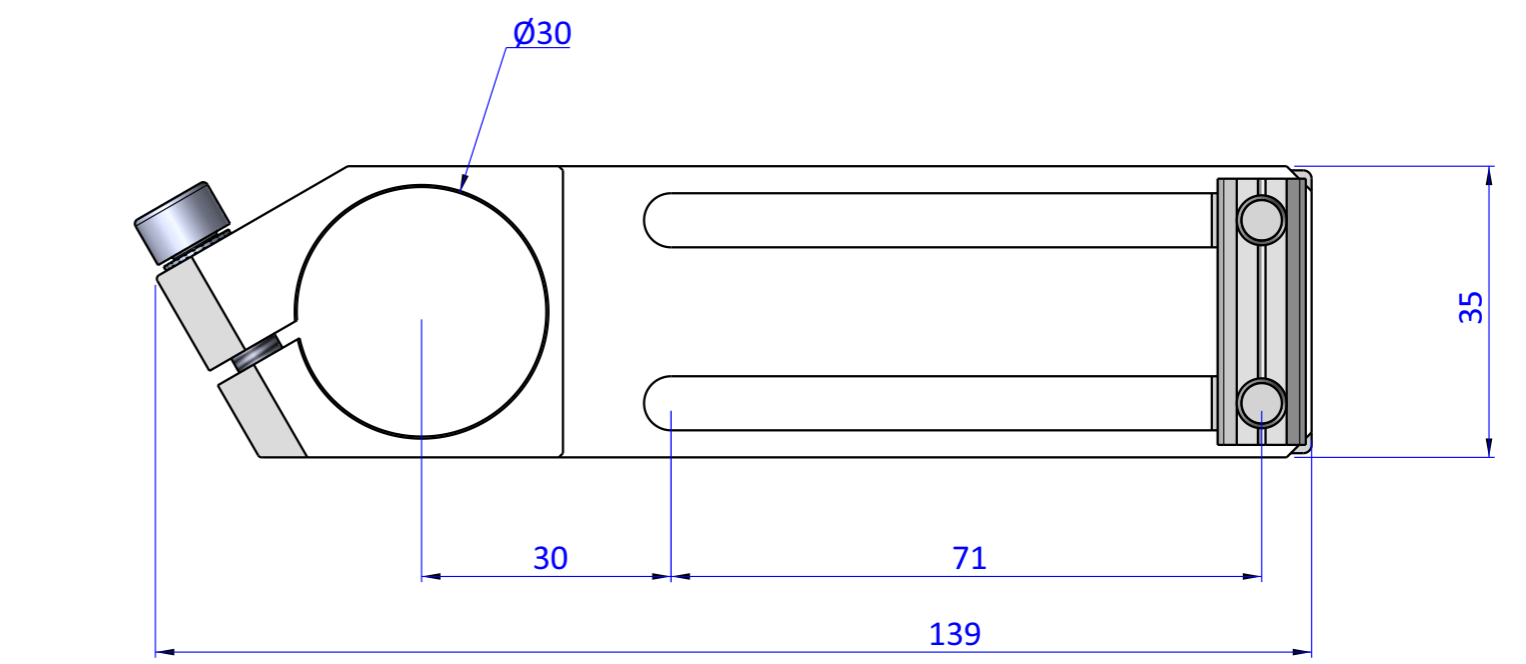
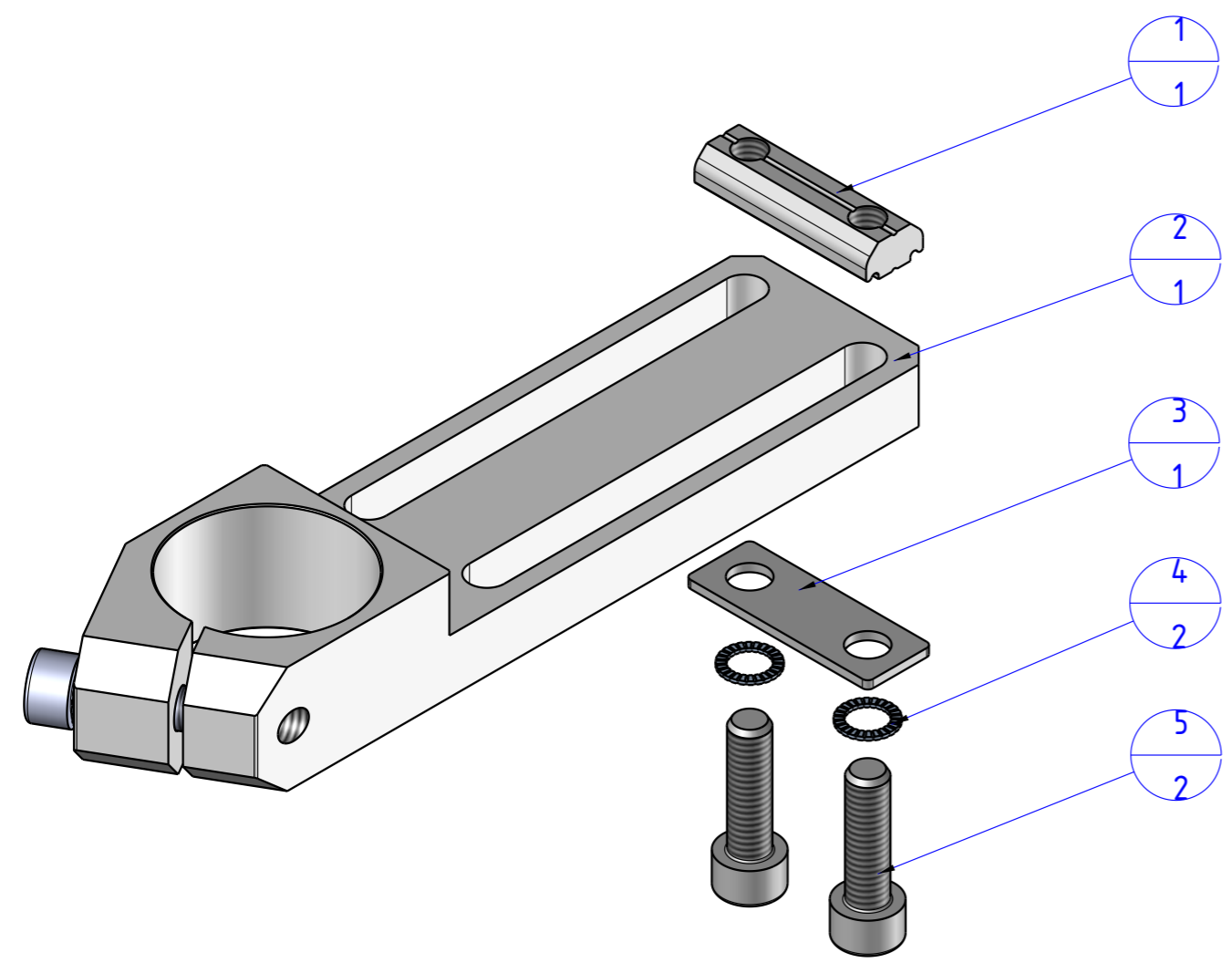



THE PROPERTY OF THE DRAWING IS ESTABLISHED BY LAW. IT IS FORBIDDEN TO PRODUCE OR SHOW IT TO THIRD PART. WITHOUT A WRITTEN AGREEMENT.

Item	Name	Q.ty
1	CA.GWP.6.22	1
2	CA.WSL.3070.U	1
3	R.06.22	1
4	R.6.SCH	2
5	V.TCE6x22	2



Format A3
UNI 936-76

 FPS FPSERVICES AUTOMATION		DESIGNED FROM		REVIEW
		FPS Automation		A
GENERAL TOLERANCE		DATE	WEIGHT	
UNI - ISO 2768		01/03/2021	0,118kg	
CLASSE f		CODE		
		CA.WSL.3070.U.JU		CA.WSL.3070.U.JU